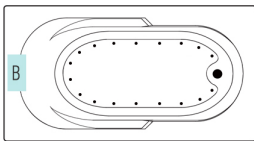
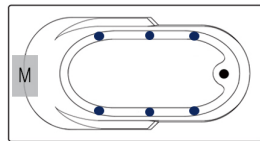


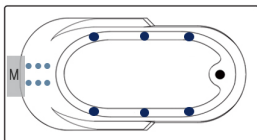
Air Bathtub



6 Jet Bathtub

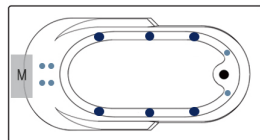


12 Jet Bathtub



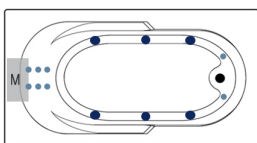
(6 Jets installed on Backrest)

12 Jet Bathtub

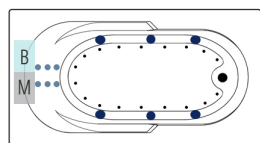


(4 Jets on Backrest, 2 Jets at Feet)

14 Jet Bathtub



Combo Bathtub



LEDGEND



BATHTUB DIMENSIONS:

60" x 36" x 18"

ROUGH IN: 58" x 34" x 20"

DECK CUT-OUT: 58" x 34"

FINISHED DECK HEIGHT: 20"

MATERIAL: Acrylic

TUB FLOOR: Slip-Resistant

WATER CAPACITY: 50 Gallons

OVERFLOW HOLE: Un-drilled. Overflow hole drilled upon request

SET IN MORTAR?: Yes, 3" sand mix mortar/concrete set required

MOTOR INSTALLATION: Mounted under backrest

Motor Does not breach Tub's L x W Dimensions

ELECTRICAL REQUIREMENTS:

Carver requires one (1) 20 AMP dedicated GFCI Breaker for each power supply provided with the bathtub

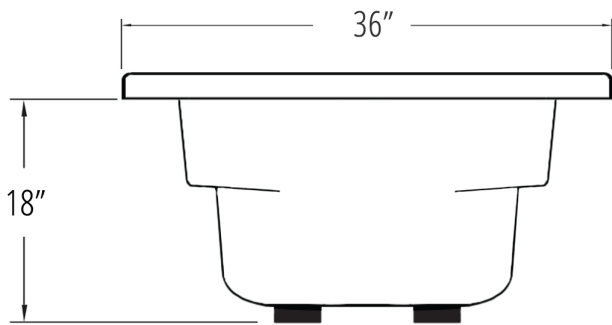
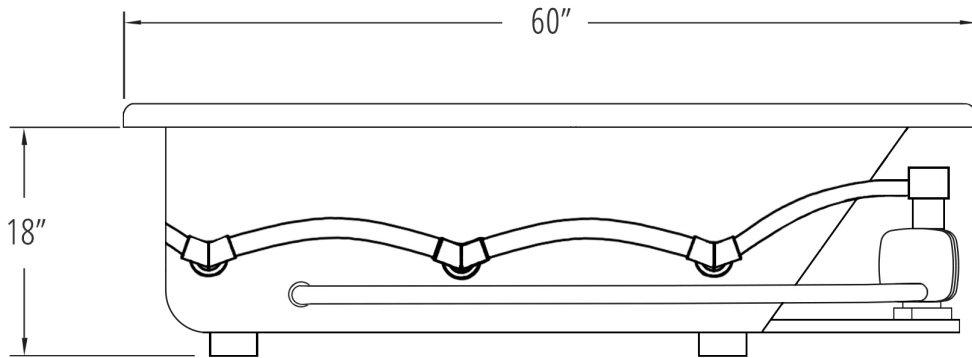
ELECTRICAL DATA

Component	HP	AMP	Requirement
6 Jet Whirlpool Motor	.75 HP	7AMP	20AMP, 120V, GFCI
12 Jet Whirlpool Motor	1.5 HP	13AMP	20AMP, 120V, GFCI
14 Jet Whirlpool Motor	2 HP	13 AMP	20AMP, 120V, GFCI
Air Blower	1 HP	11.3 AMP	20AMP, 120V, GFCI
Optional Heater	n/a	12.5 AMP	20AMP, 120V, GFCI
LED Light	n/a		Light can share electrical


 One Person Bath

Carver Tubs
 3303 Main Street
 Grandview, MO 64030





BATHTUB DIMENSIONS: 60" x 36" x 18"

ROUGH IN: 58" x 34" x 20"

DECK CUT-OUT: 58" x 34"

FINISHED DECK HEIGHT: 20"

MATERIAL: Acrylic

TUB FLOOR: Slip-Resistant

WATER CAPACITY: 50 Gallons

OVERFLOW HOLE: Un-drilled. Overflow hole drilled upon request

SET IN MORTAR?: Yes, 3" sand mix mortar/concrete set required

MOTOR INSTALLATION: Mounted under backrest

Motor Does not breach Tub's L x W Dimensions

ELECTRICAL REQUIREMENTS:

Carver requires one (1) 20 AMP dedicated GFCI Breaker for each power supply provided with the bathtub

ELECTRICAL DATA

Component	HP	AMP	Requirement
6 Jet Whirlpool Motor	.75 HP	7AMP	20AMP, 120V, GFCI
12 Jet Whirlpool Motor	1.5 HP	13AMP	20AMP, 120V, GFCI
14 Jet Whirlpool Motor	2 HP	13 AMP	20AMP, 120V, GFCI
Air Blower	1 HP	11.3 AMP	20AMP, 120V, GFCI
Optional Heater	n/a	12.5 AMP	20AMP, 120V, GFCI
LED Light	n/a		Light can share electrical