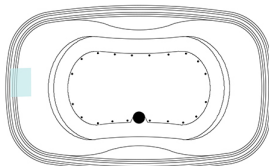
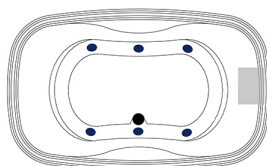


Air Bathtub



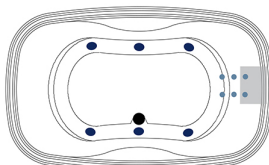
(Motor can be installed on either side)

6 Jet Bathtub



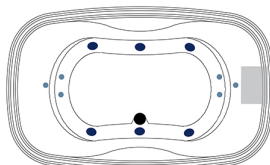
(Motor can be installed on either side)

12 Jet Bathtub



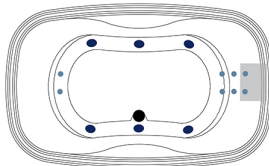
(Motor can be installed on either side)

12 Jet Bathtub

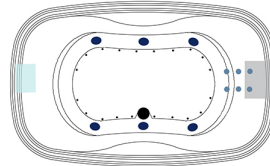


(Motor can be installed on either side)

14 Jet Bathtub



Combo Bathtub



(Motors on both sides)

LEGEND

- M** MOTOR
- B** AIR BLOWER
- AIR JET
- LG DIRECTIONAL JET
- SM BACK JET

BATHTUB DIMENSIONS:

68" x 41" x 20"

ROUGH IN: 65" x 37" x 22"

DECK CUT-OUT: 65" x 37"

FINISHED DECK HEIGHT: 22"

MATERIAL: Acrylic

TUB FLOOR: Slip-Resistant

WATER CAPACITY: 77 Gallons

OVERFLOW HOLE: Un-drilled. Overflow hole drilled upon request

SET IN MORTAR?: Yes, 3" sand mix mortar/concrete set required

MOTOR INSTALLATION: Mounted under backrest

Motor Does not breach Tub's L x W Dimensions

Motor Can be installed under Left or Right Backrest

ELECTRICAL REQUIREMENTS:

Carver requires one (1) 20 AMP dedicated GFCI Breaker for each power supply provided with the bathtub

ELECTRICAL DATA

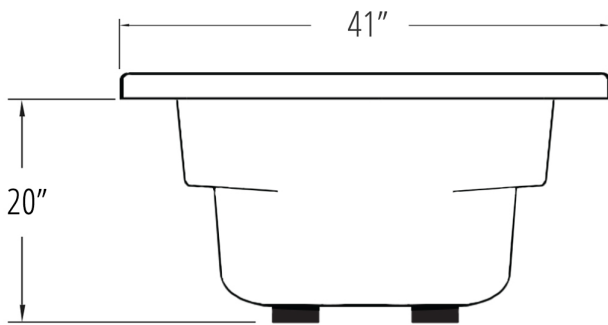
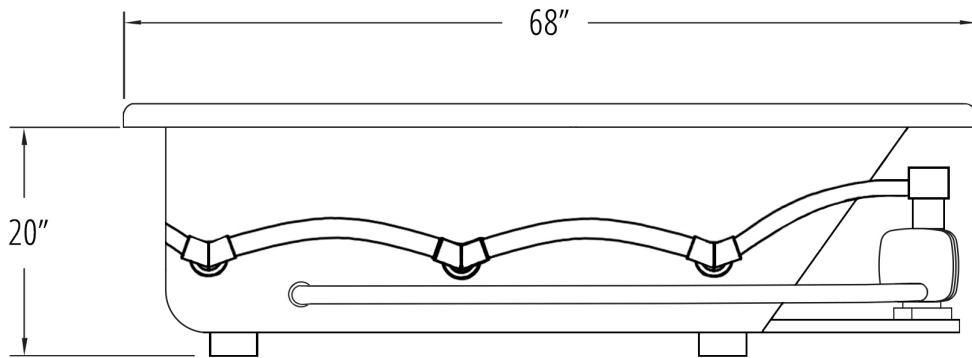
Component	HP	AMP	Requirement
6 Jet Whirlpool Motor	.75 HP	7AMP	20AMP, 120V, GFCI
12 Jet Whirlpool Motor	1.5 HP	13AMP	20AMP, 120V, GFCI
14 Jet Whirlpool Motor	2 HP	13 AMP	20AMP, 120V, GFCI
Air Blower	1 HP	11.3 AMP	20AMP, 120V, GFCI
Optional Heater	n/a	12.5 AMP	20AMP, 120V, GFCI
LED Light	n/a		Light can share electrical



Two Person Bath

Carver Tubs
3303 Main Street
Grandview, MO 64030





BATHTUB DIMENSIONS:

68" x 41" x 20"

ROUGH IN: 65" x 37" x 22"

DECK CUT-OUT: 65" x 37"

FINISHED DECK HEIGHT: 22"

MATERIAL: Acrylic

TUB FLOOR: Slip-Resistant

WATER CAPACITY: 77 Gallons

OVERFLOW HOLE: Un-drilled. Overflow hole drilled upon request

SET IN MORTAR?: Yes, 3" sand mix mortar/concrete set required

MOTOR INSTALLATION: Mounted under backrest

Motor Does not breach Tub's L x W Dimensions

Motor Can be installed under Left or Right Backrest

ELECTRICAL REQUIREMENTS:

Carver requires one (1) 20 AMP dedicated GFCI Breaker for each power supply provided with the bathtub

ELECTRICAL DATA

Component	HP	AMP	Requirement
6 Jet Whirlpool Motor	.75 HP	7AMP	20AMP, 120V, GFCI
12 Jet Whirlpool Motor	1.5 HP	13AMP	20AMP, 120V, GFCI
14 Jet Whirlpool Motor	2 HP	13 AMP	20AMP, 120V, GFCI
Air Blower	1 HP	11.3 AMP	20AMP, 120V, GFCI
Optional Heater	n/a	12.5 AMP	20AMP, 120V, GFCI
LED Light	n/a		Light can share electrical



Two Person Bath

Carver Tubs
3303 Main Street
Grandview, MO 64030

