

# SP6032

## 60" X 32" SHOWER PAN



### FEATURES

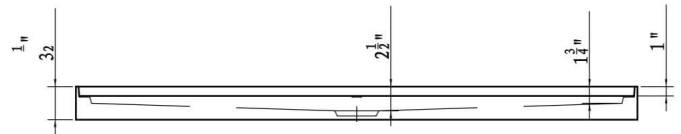
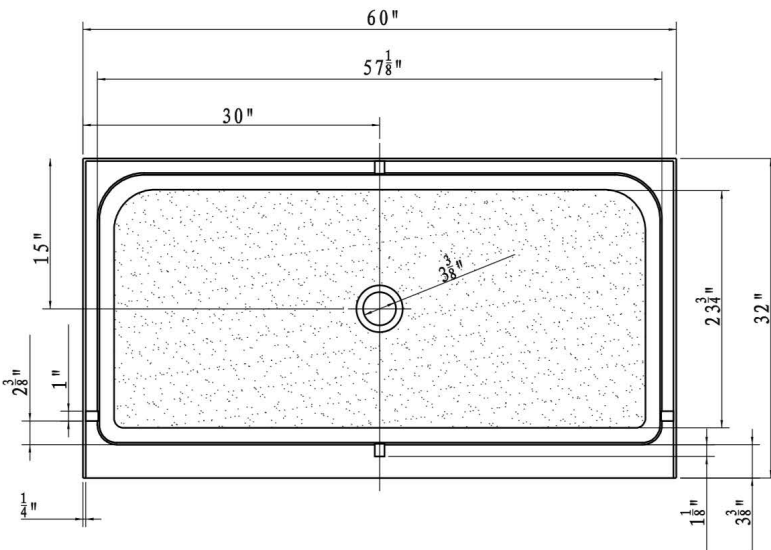
- Three Tile Flange
- Rectangular
- Center Drain
- Textured slip-resistant bottom

### DIMENSIONS

- 60" L x 32" H

### COLORS

- Finish available in White Acrylic



### IMPORTANT:

Dimensions are nominal and may vary within range of tolerance established by CSA B45.5/IAMPOZ124