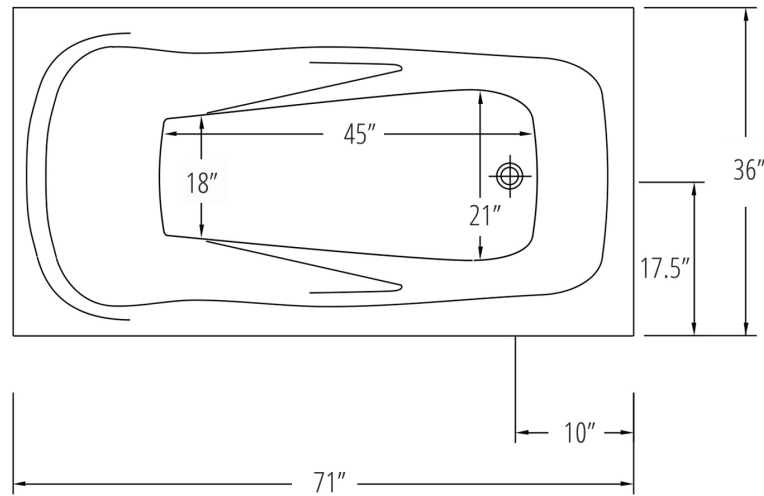
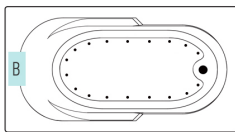


Carver Tubs

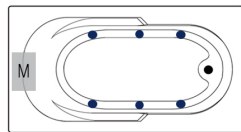
AT 7136



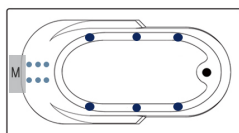
Air Bathtub



6 Jet Bathtub

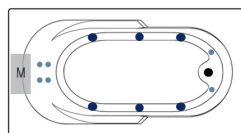


12 Jet Bathtub



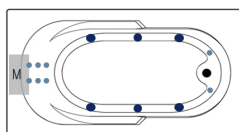
(6 Jets installed on Backrest)

12 Jet Bathtub

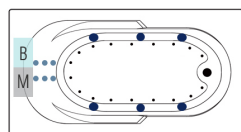


(4 Jets on Backrest, 2 Jets at Feet)

14 Jet Bathtub



Combo Bathtub



LEDGEND

- M MOTOR
- B AIR BLOWER
- AIR JET
- LG DIRECTIONAL JET
- SM BACK JET

BATHTUB DIMENSIONS: 71" x 36" x 19"

ROUGH IN: 69" x 33" x 21"

DECK CUT-OUT: 69" x 33"

FINISHED DECK HEIGHT: 21"

MATERIAL: Acrylic

TUB FLOOR: Slip-Resistant

WATER CAPACITY: 60 Gallons

OVERFLOW HOLE: Un-drilled. Overflow hole drilled upon request

SET IN MORTAR?: Yes, 3" sand mix mortar/concrete set required

MOTOR INSTALLATION: Mounted under backrest

Motor Does not breach Tub's L x W Dimensions

ELECTRICAL REQUIREMENTS:

Carver requires one (1) 20 AMP dedicated GFCI Breaker for each power supply provided with the bathtub

ELECTRICAL DATA

Component	HP	AMP	Requirement
6 Jet Whirlpool Motor	.75 HP	7AMP	20AMP, 120V, GFCI
12 Jet Whirlpool Motor	1.5 HP	13AMP	20AMP, 120V, GFCI
14 Jet Whirlpool Motor	2 HP	13 AMP	20AMP, 120V, GFCI
Air Blower	1 HP	11.3 AMP	20AMP, 120V, GFCI
Optional Heater	n/a	12.5 AMP	20AMP, 120V, GFCI
LED Light	n/a		Light can share electrical



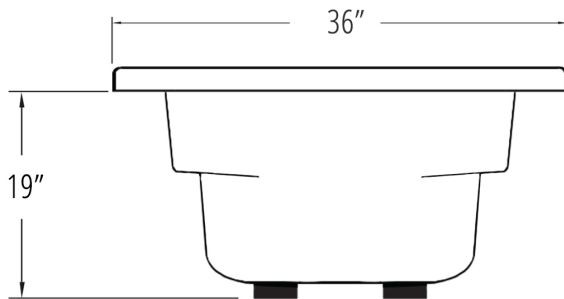
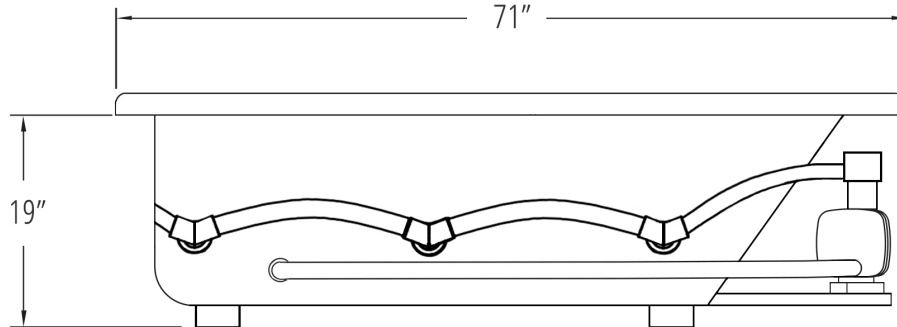
One Person Bath

Carver Tubs
3303 Main Street
Grandview, MO 64030



Carver Tubs

AT 7136



BATHTUB DIMENSIONS: 71" x 36" x 19"

ROUGH IN: 69" x 33" x 21"

DECK CUT-OUT: 69" x 33"

FINISHED DECK HEIGHT: 21"

MATERIAL: Acrylic

TUB FLOOR: Slip-Resistant

WATER CAPACITY: 60 Gallons

OVERFLOW HOLE: Un-drilled. Overflow hole drilled upon request

SET IN MORTAR?: Yes, 3" sand mix mortar/concrete set required

MOTOR INSTALLATION: Mounted under backrest

Motor Does not breach Tub's L x W Dimensions

ELECTRICAL REQUIREMENTS:

Carver requires one (1) 20 AMP dedicated GFCI Breaker for each power supply provided with the bathtub

ELECTRICAL DATA

Component	HP	AMP	Requirement
6 Jet Whirlpool Motor	.75 HP	7AMP	20AMP, 120V, GFCI
12 Jet Whirlpool Motor	1.5 HP	13AMP	20AMP, 120V, GFCI
14 Jet Whirlpool Motor	2 HP	13 AMP	20AMP, 120V, GFCI
Air Blower	1 HP	11.3 AMP	20AMP, 120V, GFCI
Optional Heater	n/a	12.5 AMP	20AMP, 120V, GFCI
LED Light	n/a		Light can share electrical



One Person Bath

Carver Tubs
3303 Main Street
Grandview, MO 64030

